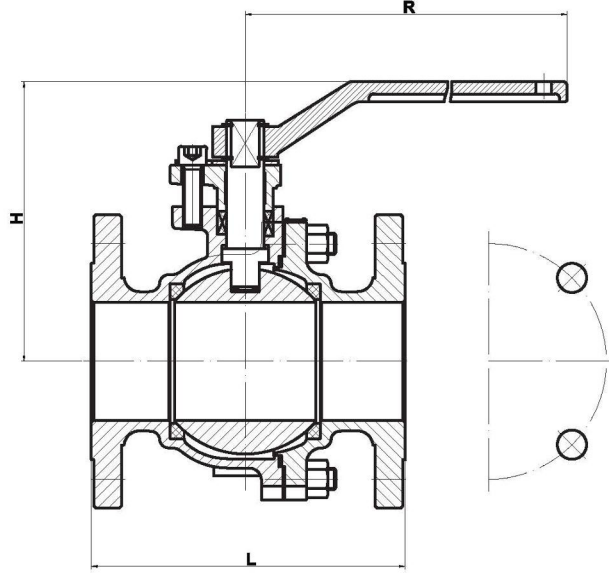
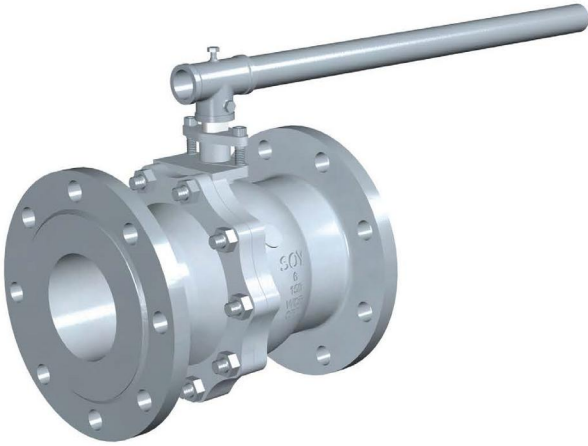




SOYVALVE

Dünyanın Vanasını Üretiyoruz / We Produce The World's Valve

Küresel Vana (Class 150/300/600) / Ball Valve (Class 150/300/600)



NO PARÇA ADI	PART NAME	MATERIAL
1 GÖVDE	BODY	ASTM A216 WCB
2 KAPAK	BONNET	ASTM A216 WCB
3 CIVATA	DOUBLE SCREW BOLT	ASTM A193 B7
4 SOMUN	NUT	ASTM A194 2H
5 KÜRE	BALL	ASTM A105+ENP
6 SİT	SEAT	PTFE
7 MİL	STEM	STM A182 F6a
8 SIZDIRMAZLIK TEFL.	SEALING SEAT	PTFE
9 SALMASTRA	PACKING	PTFE
10 YATAK	PLAIN BEARDING	PTFE
11 GLEN	GLAND	ASTM A216 WCB
12 CIVATA	BOLT	STM A194 B7
13 ARA PULU	SPACER	1020+Zn
14 KİLİT MANDALI	RETAINER RING	6150
15 KOL	LEVER	ASTM A216 WCB
16 ETİKET	NAMEPLATE	ALUMINIUM
17 PERÇİN	RIVET	ML10
18 CONTA	GASKET	GRAPHITE+SS304

UYGULAMA ALANLARI / APPLICATIONS

SICAK SU , SOĞUK SU , BUHAR , KİMYASAL AKIŞKANLAR , YAĞ , DOĞALGAZ , PETROL , ISITMA-SOĞUTMA HAVALANDIRMA / HOT-COLD WATER , STEAM , CHEMICAL FLUIDS , OIL , NATURAL GAS , HVAC ETC.

BAĞLANTILAR / ENDS : ANSI B16.5
ALINDAN ALINA / FACE TO FACE: ANSI B16.10

Class	DN	H	R	L	KG
150	15	84	130	108	2,5
	20	88	130	117	3
	25	95	140	127	3,6
	40	120	250	165	7
	50	130	250	178	10
	65	160	400	190	15
	80	185	400	203	20
	100	210	450	229	30
	125	220	450	356	60
	150	295	1500	394	75
200	335	1500	457	124	
250	-	-	533	264	
300	15	84	130	140	3
	20	88	130	152	3,8
	25	95	140	165	5,2
	40	120	250	191	11
	50	140	250	216	14,5
	65	160	400	241	24
	80	180	400	283	31
	100	208	450	305	47
	125	220	450	381	70
	150	335	1500	403	90
200	-	1500	502	176	
600	15	61,5	130	165	4
	20	61,5	160	190	5
	25	78	200	216	7
	40	101	350	241	14
	50	120	400	292	18
	65	174	500	330	30
	80	212	600	356	38
	100	234	600	432	80
	150	289	800	559	-